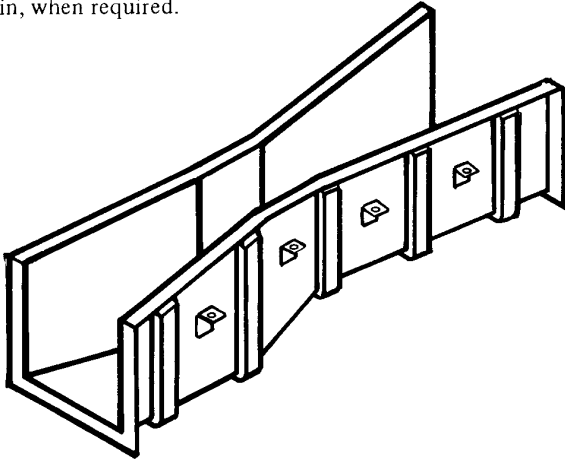


VARIOUS FLUMES

FLUMES MANUFACTURED BY PLASTI-FAB FOR MEASURING THE FLOW OF WATER IN OPEN CHANNELS.

These flumes are made of fiberglass reinforced polyester. They are also available in vinyl ester of Atlac Bisphenol A polyester for extremely severe effluents and some flumes are available in stainless steel when required. Fire retardants may be added to resin, when required.

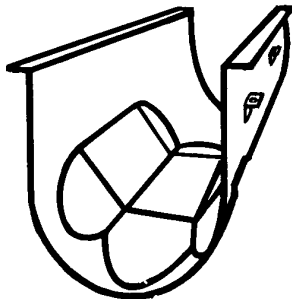


PARSHALL FLUMES

The most widely known flume and still the most widely used for permanent installations.

Used in monitoring sewage, plant effluent and irrigation water.

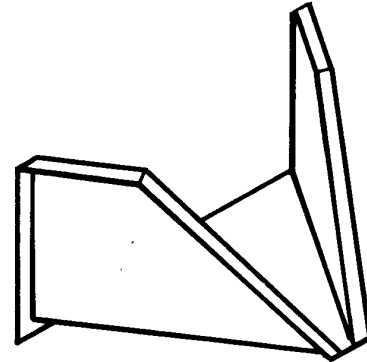
Available in sizes 1" through 12 foot and with numerous accessories. Instrumentation is available from practically all flowmeter manufacturers.



PALMER-BOWLUS FLUMES

Known almost exclusively in the sanitary field. Becoming widely used for measuring flows in manholes, particularly in present day portable or temporary installations. May be useful in runoff studies because Palmer-Bowlus flumes can be installed in existing culverts, thus reducing installation costs and time.

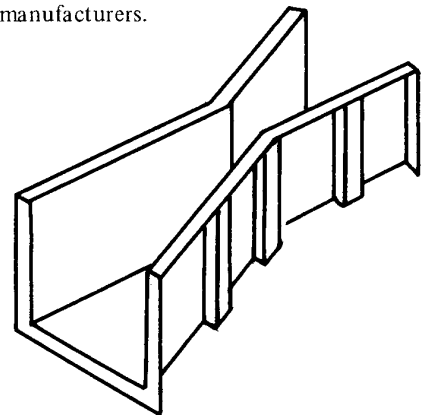
Available in sizes 4" through 60" and larger in a number of versions. Instrumentation is available from the majority of the flowmeter manufacturers.



H-FLUME

Known almost exclusively by agricultural researchers who have used the H-flume to monitor field runoff. The H-flumes have been introduced to the sanitary field by Plasti-Fab to measure effluent or sewage having a very wide range of flow that otherwise would be difficult or impossible in other types of flumes. Also useful as portable flumes for governmental bodies such as the EPA.

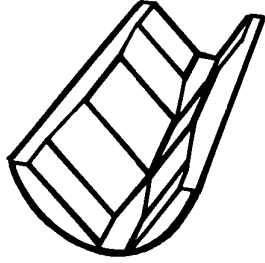
Available sizes are .5 to 4.5 with capacities from zero to 0.3 CFS and 80 CFS, with special inlet sections and accessories. Instrumentation is available from a very limited number of flowmeter manufacturers.



CUTTHROAT FLUME

Similar to the Parshall except that the bottom is at the same elevation as the pipe invert through the length of the flume. The cutthroat flume's greatest advantage is in its use where head loss is limited as it can function well at a high degree of submergence. Some people feel this provides better accuracy than the Parshall for they believe grit can collect in the throat of the Parshall.

Available on a custom basis in any size desired. Instrumentation is available from very few of the meter manufacturers without special charges for cams and charts.



TRAPEZOIDAL FLUMES

Known almost exclusively to the irrigation people, it has been

used to monitor flow in furrows and sloping sided irrigation ditches. At Plasti-Fab, we think there may be a good use for the small size Trapezoidal flumes in I and I Studies. They have a V-shaped throat, the bottom of which is at the same elevation as the channel invert thus it is able to produce readings at very low flows and at the same time not displaying the numerous disadvantages of a V-notch or rectangular weir.

Available in six sizes having flow ranges of 0 to 0.07 CFS through 0.03 to 2.5 CFS. Instrumentation is available from a very limited number of manufacturers.

Plasti-Fab[®], INC.

Printed in U.S.A.

© Plasti-Fab is a registered trademark of Plasti-Fab, Inc.
© 1977 by Plasti-Fab, Inc.

P.O. Box 100
Tualatin, Oregon 97062
503 / 692-5460
FAX 503-692-1145