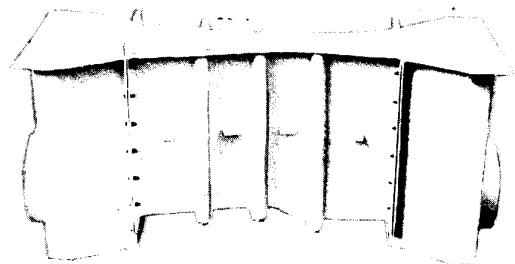
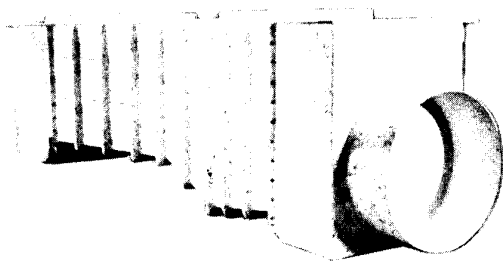
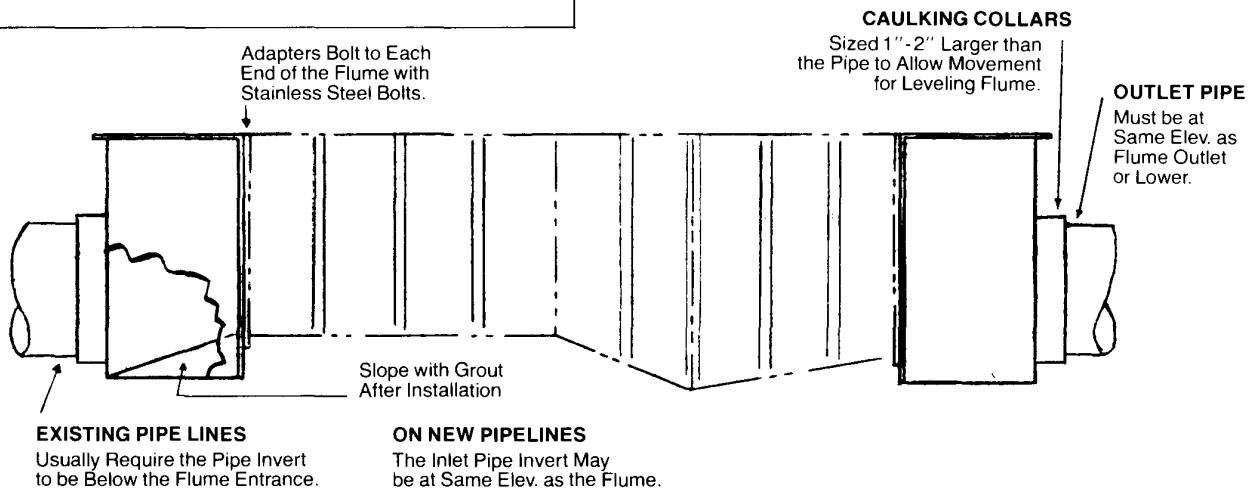


END ADAPTERS FOR PARSHALL FLUMES

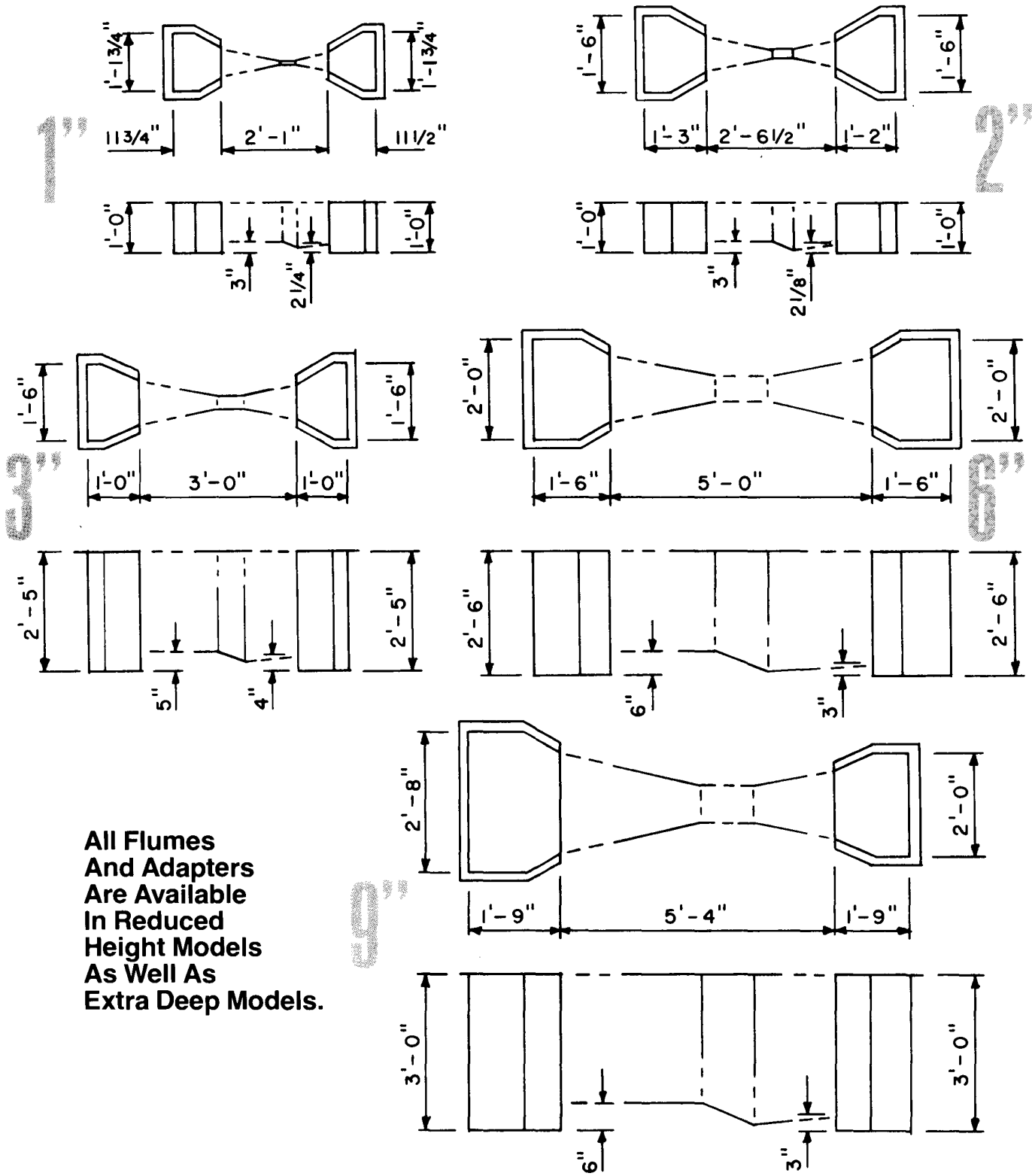
MAY MAKE YOUR INSTALLATION EASIER, QUICKER AND MORE ECONOMICAL.

Many Parshall flumes are installed in pipelines where it is necessary to make a transition from a round pipe to the rectangular flume and back to round. Our line of standard end adapters has been designed to fill the need for most installations of this type. They are large enough to be used with large O.D. pipe and have sufficient volume to reduce or eliminate turbulence and boiling in most installations. We do not claim that these adapters are perfect for all applications but numerous installations have proven them to be very satisfactory for most installations.



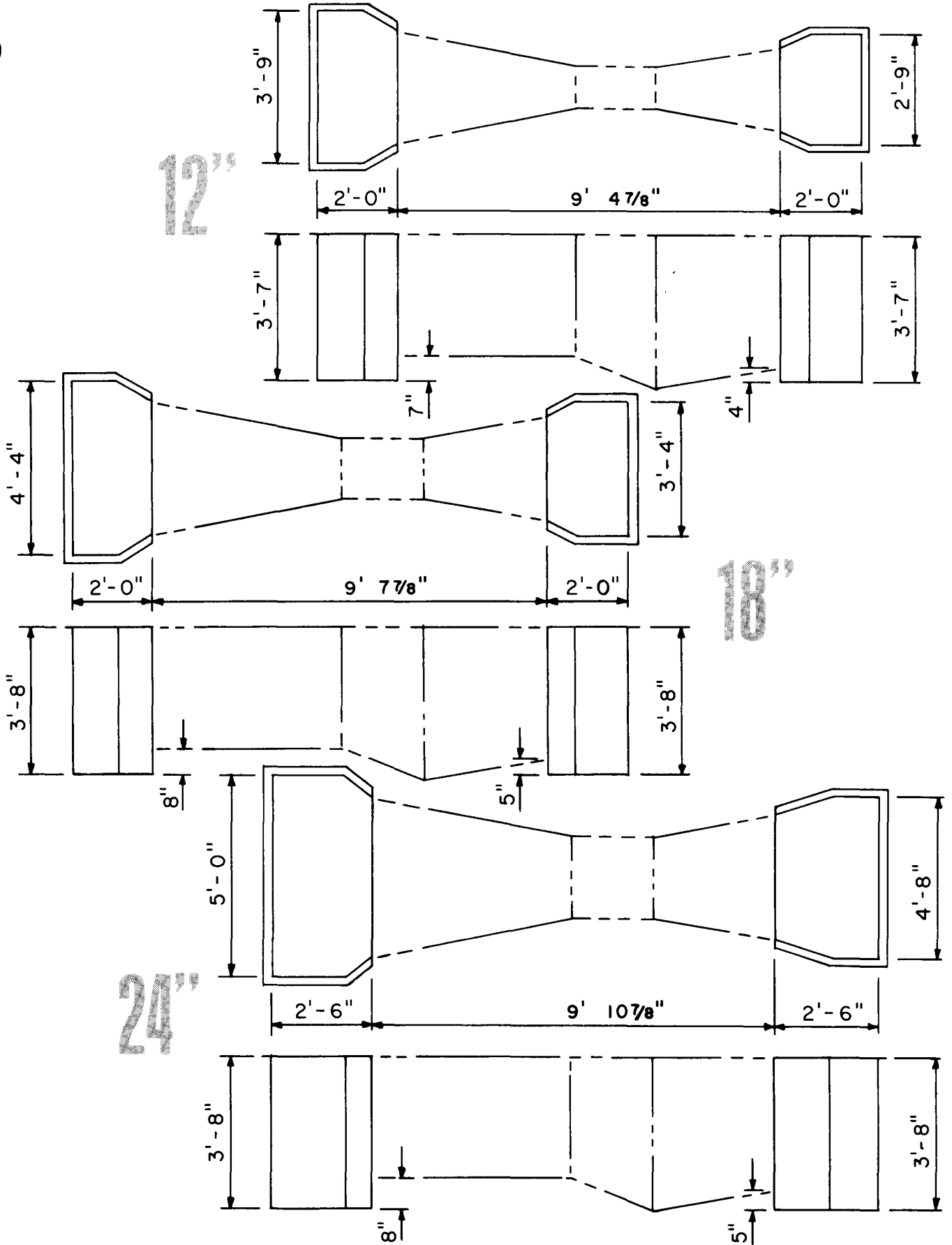
DIMENSIONS FOR STANDARD PLAST

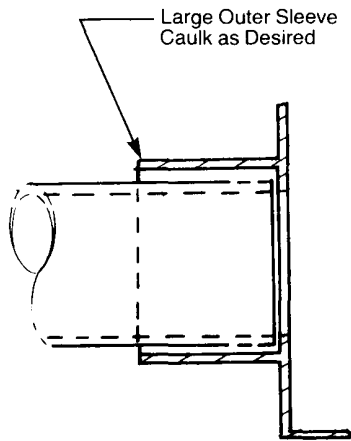
Common size flumes are shown with standard inlet and outlet adapters. These adapters are supplied with end pipe connections as shown on the back of this bulletin. Other special features and arrangements can be tailored to meet specific applications.



**All Flumes
And Adapters
Are Available
In Reduced
Height Models
As Well As
Extra Deep Models.**

-FAB INLET AND OUTLET ADAPTERS

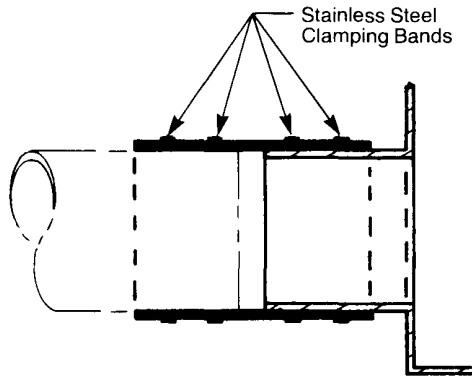




Available for:

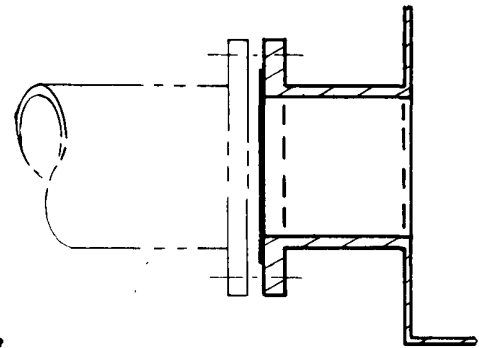
CAULKING COLLARS

Collars made 1" to 2" larger than pipe O.D. to allow for some adjustment in leveling flume.



NEOPRENE BOOTS

Boot with stainless steel bands slips over pipe stub, and is sized to match O.D. of connecting pipe.

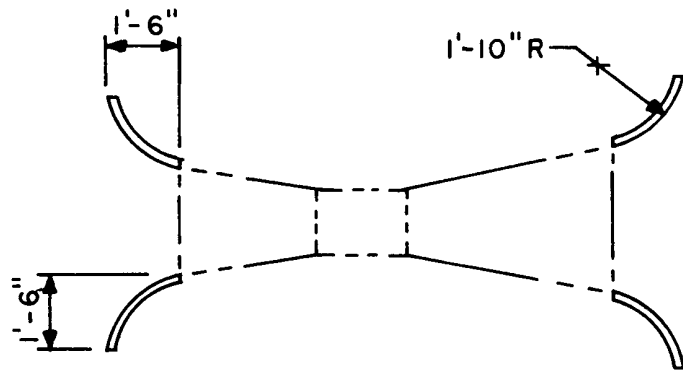
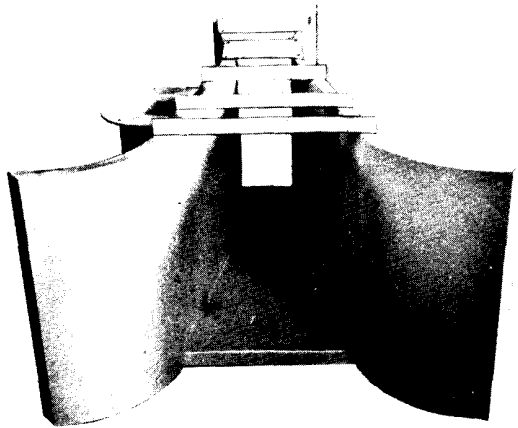


BOLTED FLANGE

PVC, FRP or Van Stone flanges are available. Other special connections can be supplied when desired.

Plasti-Fab

INLET AND/OR OUTLET WING WALLS HELP STREAMLINE YOUR FLOW IN OPEN CHANNELS.



Plasti-Fab® INC.

P.O. Box 100
Tualatin, Oregon 97062
503/692-5460
FAX 503-692-1145