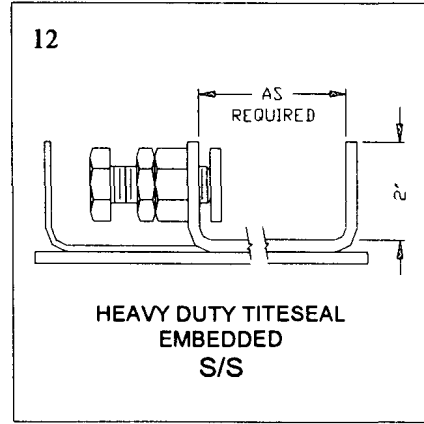
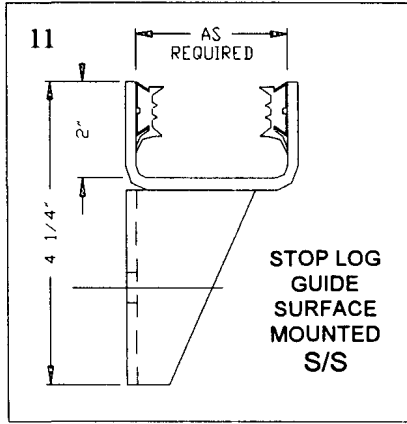
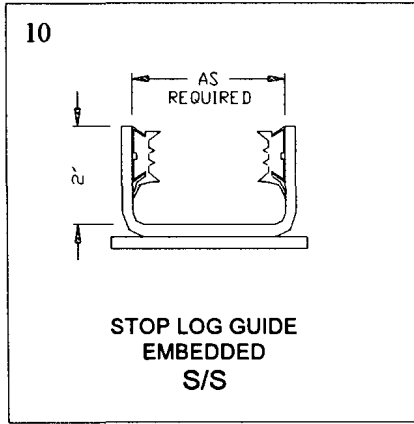
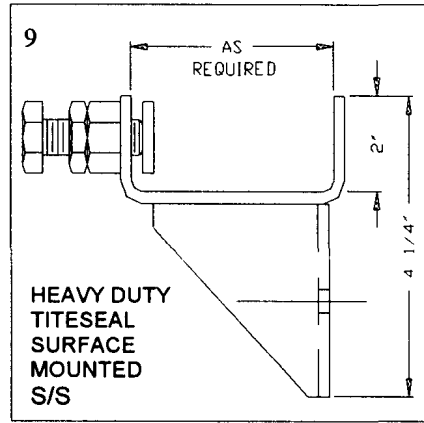
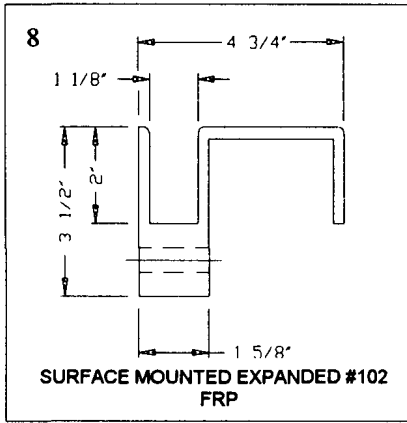
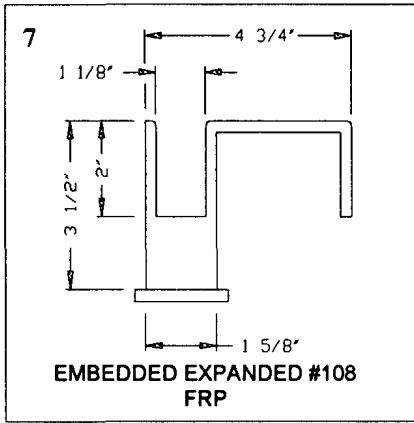
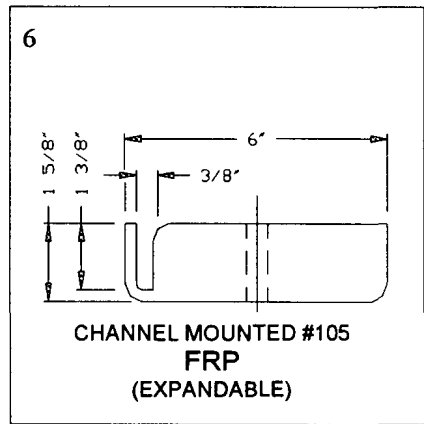
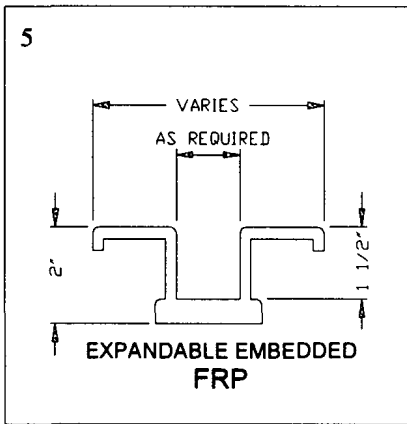
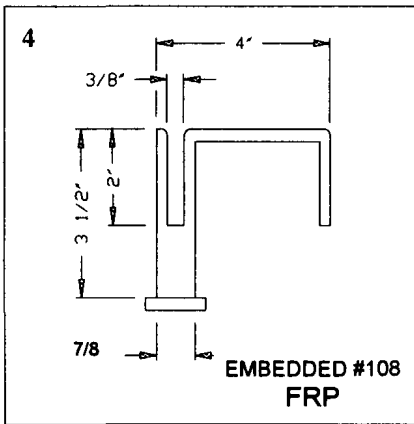
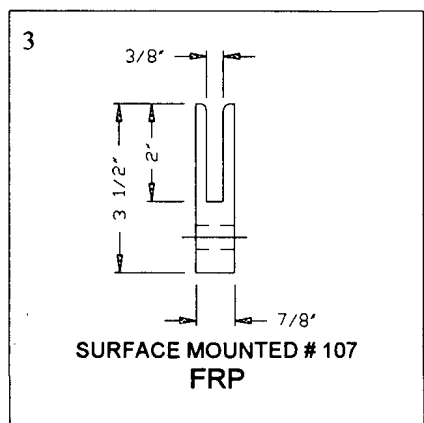
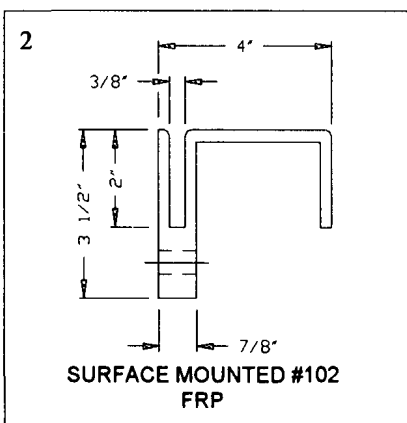
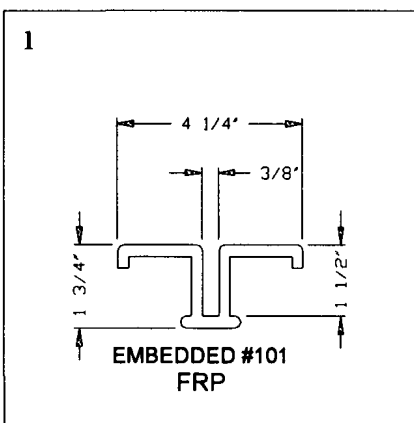
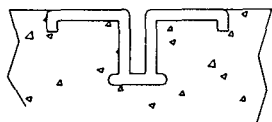


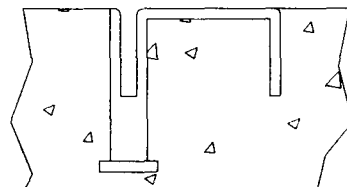
PRODUCTS FOR THE WATER AND WASTEWATER INDUSTRY



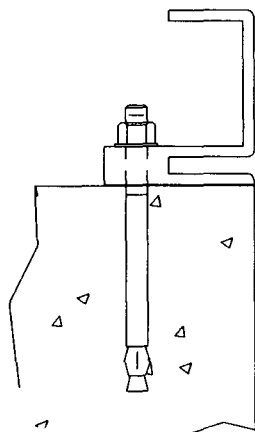
GUIDE AND SEAL INSTALLATIONS



EMBEDDED NAILABLE GUIDE
This guide can be nailed to the form and cast in concrete or grouted into a blockout

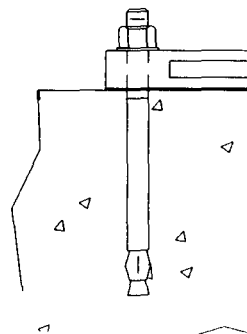


EMBEDDED SLIDE GATE FRAME
For embedded mounting of slide gates where the gate frame extends above the channel to support a mechanical lift. It can also be installed in a blockout.



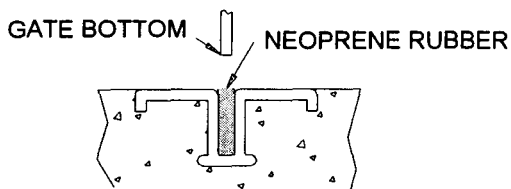
GROUT, MASTIC OR GASKET AS REQUIRED

END OF CHANNEL GUIDE (SURFACE MOUNTED)
Gate guide is pre-drilled for hook anchor or expansion anchorbolts for fastening to the face of



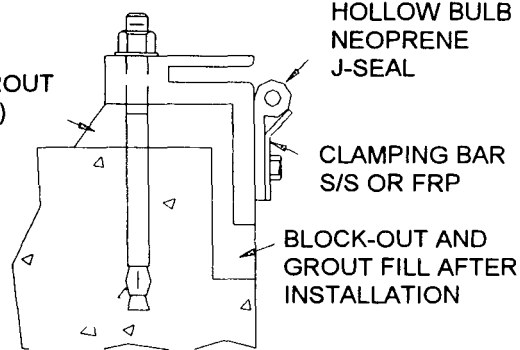
GROUT, MASTIC OR GASKET AS REQUIRED

SURFACE MOUNTED
For headwall mounted stop plates, this pre-drilled guide frame is normally used.



FLUSH BOTTOM GUIDE SEALS
Flush bottom seals are recommended in channels where silt, grit or debris are present which will fill the bottom guide. A neoprene seal in the bottom groove prevents grit buildup and provides a good gate seating surface.

APPROX. 1" GROUT (AS REQUIRED)



J-SEALS
Plasti-Fab uses gate mounted J-seals when tight shut off is required. In the case of overflow wier gates, the J-seals must be mounted on the frame as shown.

PO Box 100
Tualatin, Oregon 97062
Phone (503) 692-5460
Fax (503) 692-1145

Plasti-Fab, INC.