

SEDIMENT, TRASH & OIL RETENTION MANHOLES

The acronym is

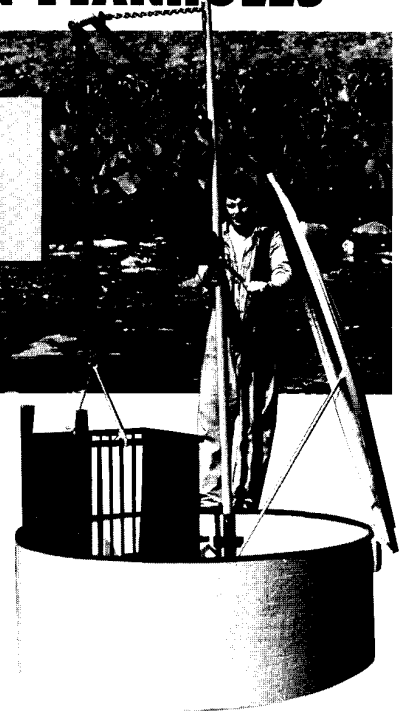
STORM

an exciting Plasti-Fab innovation
to help keep our waterways clean

These new corrosion resistant, packaged STORM manholes are the result of feedback from owners of Plasti-Fab's highly successful Packaged Metering Manholes (now in service for up to 13 years). Our customers asked for a design that would retain sediment, trash and oil from stormwater. STORM is the answer.

With our Packaged Metering Manholes installed at depths to 25 feet, Plasti-Fab has the expertise to build your STORM manhole to almost any depth you require, and in diameters of 5 or 6 feet.

STORM construction is rugged Fiberglass Reinforced Polyester (FRP) that resists corrosion from virtually any chemicals found in stormwater streams or spills.



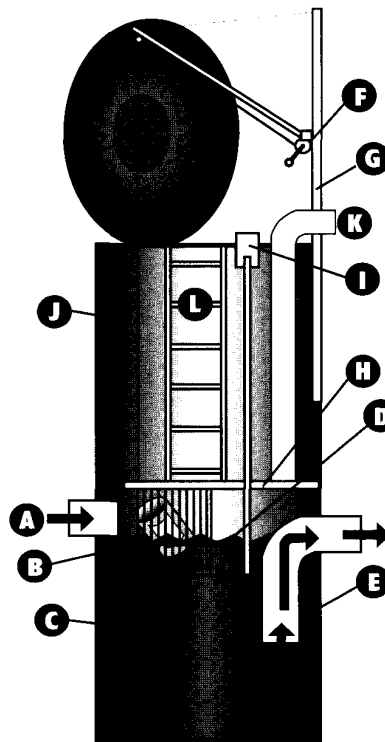
Here's how STORM manholes work to protect waterways

Incoming stormwater enters the manhole inlet (A) and passes through the stainless steel trash collection basket (B). The basket traps all debris that will not pass through its 1 1/2" bar spacing as well as trapping some smaller floating trash.

Settleable fines and silt collect in the deep sump (C) and oil rises to the surface (D) where it is held, above the entrance of the outlet elbow (E).

Servicing personnel raise the trash basket with a hand crank (F) which is mounted on a jib (G). This jib is easily dismantled for storage either inside the STORM or on the service vehicle.

With the trash collection basket raised to ground level, an opening in the FRP grating (H) provides access for a vacuum truck to remove settled solids from the bottom of the manhole.



Oil on the surface (D) may be removed continuously or intermittently by an installed or portable skimmer (I), or it can be pumped or vacuumed out.

FRP rails (J) mounted on the sidewall of the STORM guide the trash basket when raising or lowering.

The vent duct (K) is designed to provide fresh air and purge noxious gases from inside the manhole. An elbow at the top of the vent duct can be connected to a portable blower. After use, the elbow is stowable inside the manhole.

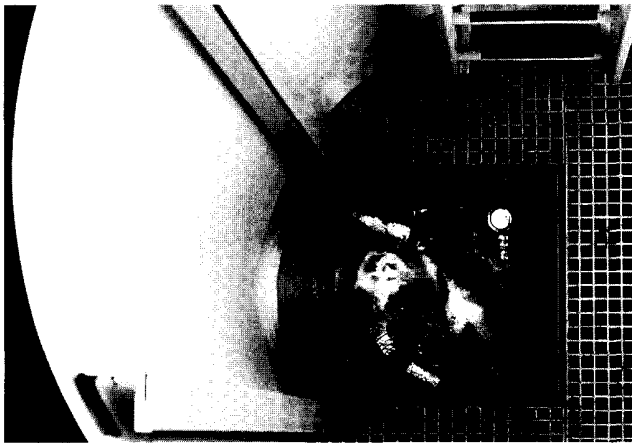
The ladder (L) is made of corrosion resistant FRP and has rough-grit on the rungs for sure footing.

Our STORM manhole cover is mounted on stainless steel hinges with 1/2" pins for years of trouble-free service.

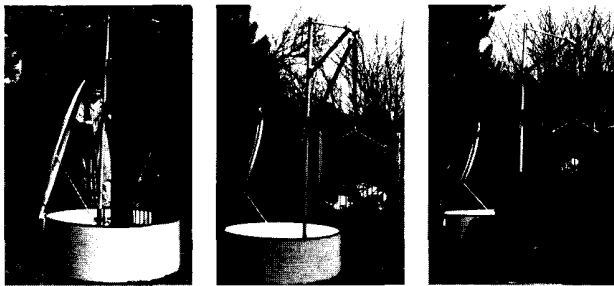


PLASTI-FAB, INC.
PO Box 100
Tualatin, Oregon 97062-0100
Phone 503 692-5460
Fax 503 692-1145
www.Plasti-Fab.com

Help keep our waterways clean with Plasti-Fab's **STORM** manholes



The STORM manhole has a basket that catches trash. The basket rides on rails and is raised to the surface using a removable jib and hand crank.

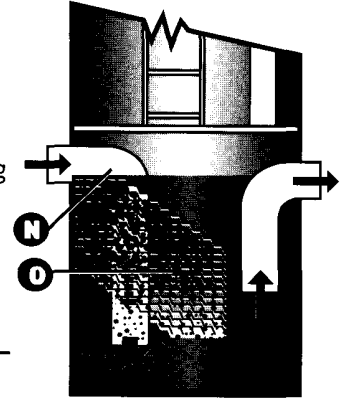


After servicing, the jib and winch may be stowed inside the STORM or on the service vehicle.

STORM manholes are made to order. Here are some options:

Oil-Only Option

For situations where oil is the primary problem and trash is negligible, the inlet can include a down-turned elbow (N), discharging the flow below the surface. This allows the water to rise through a coalescing media (O) which can separate the oil very efficiently.

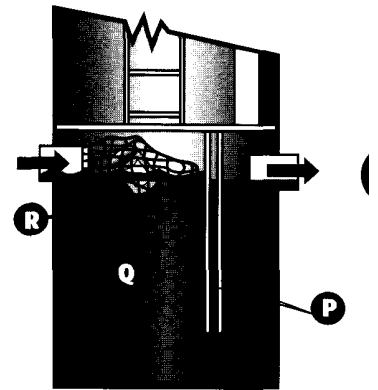


Mesh Bags

STORM manholes can be supplied with mesh sacks or bags (R) instead of the stainless steel trash basket.

Sump Gates

Or a STORM can be fitted with a double-gated sump. With this option, the oil rises (Q), while the water passes under the gates (P). Each gate is provided with absorbent media to retain the oil. When one gate is removed to change the media, the other remains in place, continuing to block the floating oil.



For more information, see: "Installation of Plasti-Fab STORM manholes".

A World of solutions in Wastewater control.

Plasti-Fab is the recognized leader in corrosion resistant equipment for water and wastewater treatment and control, specializing in Reinforced Copolymer (FRP) equipment for industry and infrastructure. Our equipment is resisting corrosion in abusive environments all around the world. Contact one of our technical experts today to discuss how your specific requirements will be met with Plasti-Fab quality products and custom services.



PLASTI-FAB, INC.
PO Box 100
Tualatin, Oregon 97062-0100
Phone 503 692-5460
Fax 503 692-1145
www.Plasti-Fab.com

- FLOW MEASUREMENT FLUMES
- WEATHERPROOF SHELTERS
- WASTEWATER TREATMENT PRODUCTS
- PACKAGED METERING MANHOLES
- ROTATING SCUM SKIMMERS
- TITSEAL GATES / FLAP VALVES
- CORROSION RESISTANT PIPE HANGERS
- ROOF AND EQUIPMENT HATCHES
- GAUGES